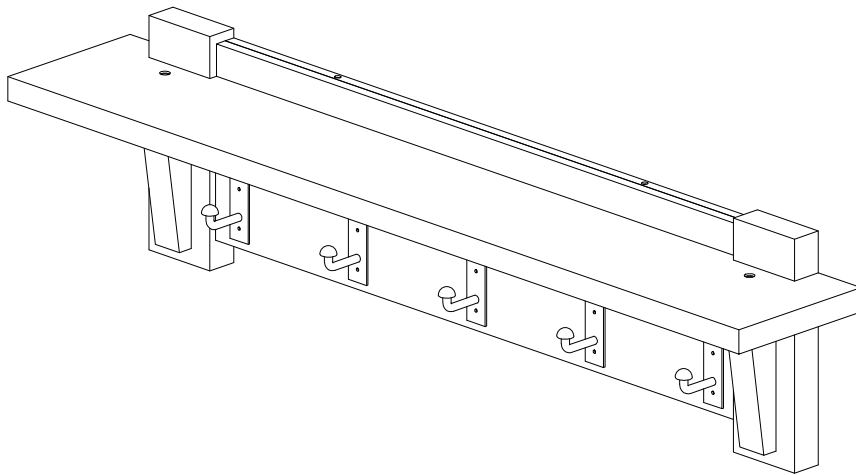


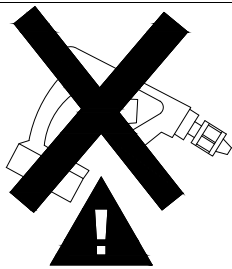
ASSEMBLY INSTRUCTION

HOOK SHELF

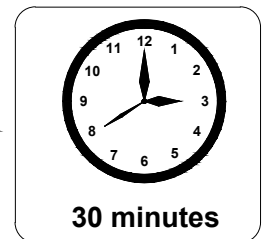
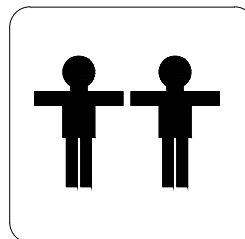


REPLACEMENT PARTS

Please do not contact the company purchased from as we can help you faster.
Order replacement parts and hardware at " www.alaterrefurniture.com "

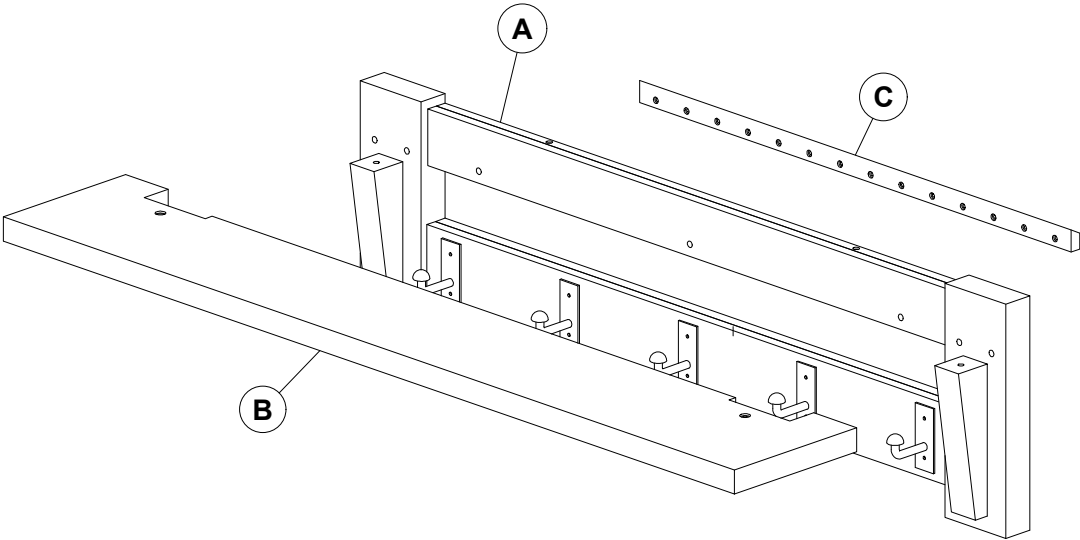


- . Use of power tool to assemble this product will invalidate any claim and damage this product making it unsafe !!!
- . Please assemble on a clean soft surface to avoid damage.




www.alaterrefurniture.com


Part list-Durango Hook Shelf



Identifying the hardware-Identify the hardware using the illustrations below

D  **03**
M6x35MM BOLT

E  **06**
M6x60MM BOLT

F  **01**


G  **04**
4x60MM SCREW

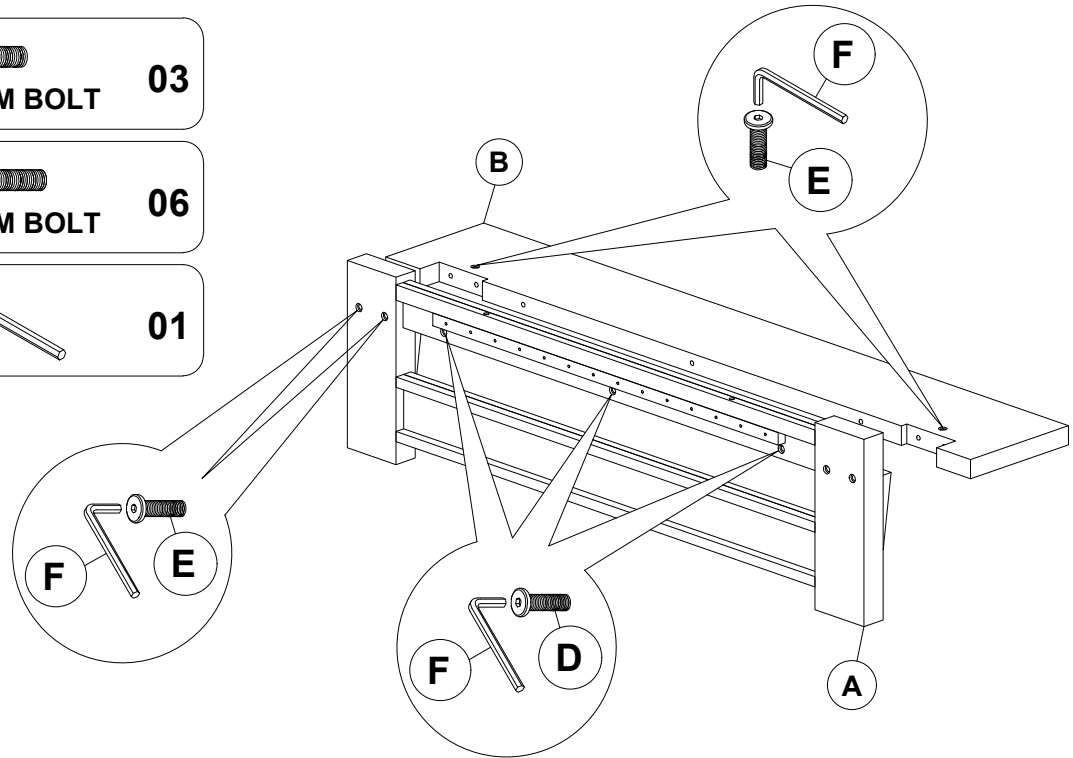
H  **04**
DRYWALL EZ ANCHOR

Step 01

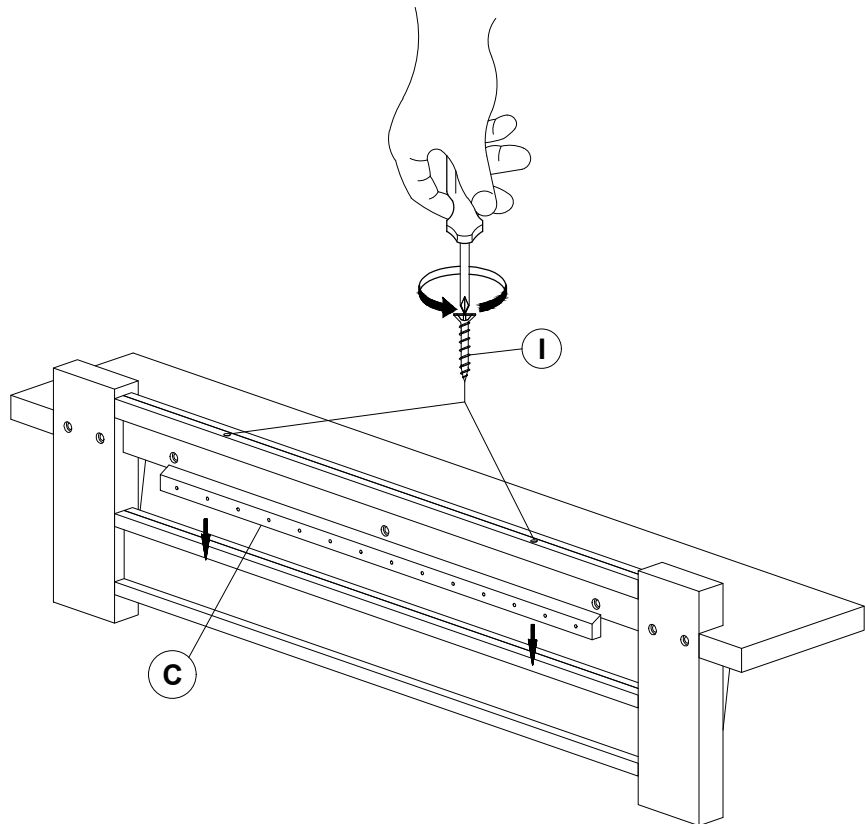
D  **03**
M6x35MM BOLT

E  **06**
M6x60MM BOLT

F  **01**



Step 02



Step 03

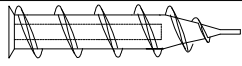
G



4x60MM SCREW

04

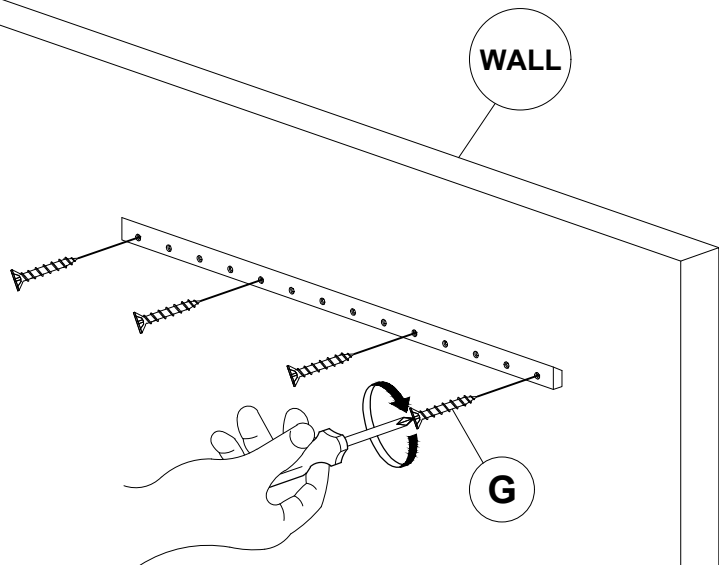
H



DRYWALL EZ ANCHOR

04

For the best results, secure cleat to stud in wall. If you are not able to secure cleat to stud in wall, use EZ Anchors.



Step 04

